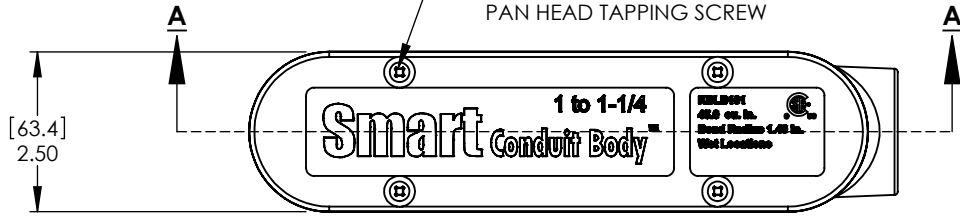
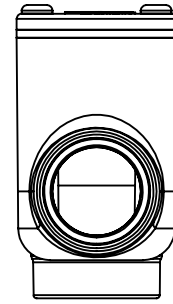
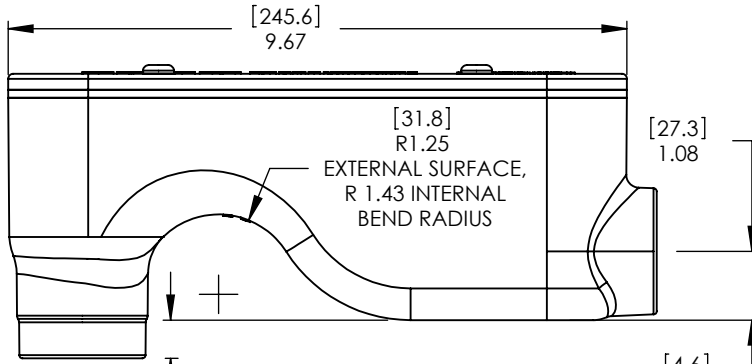
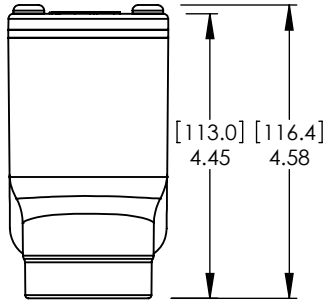
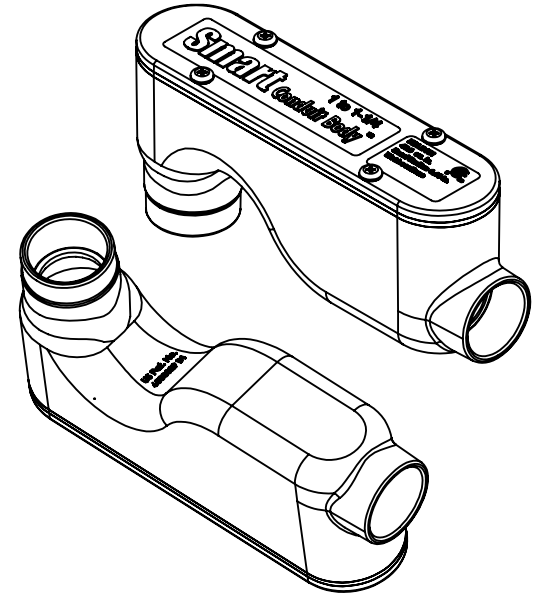


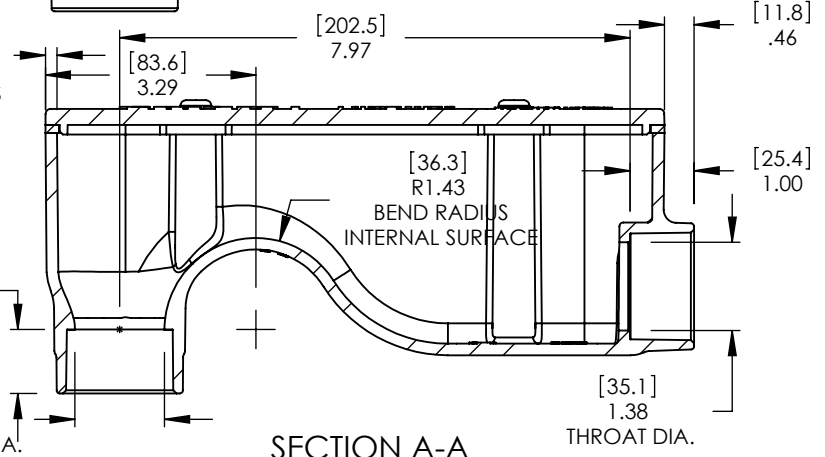
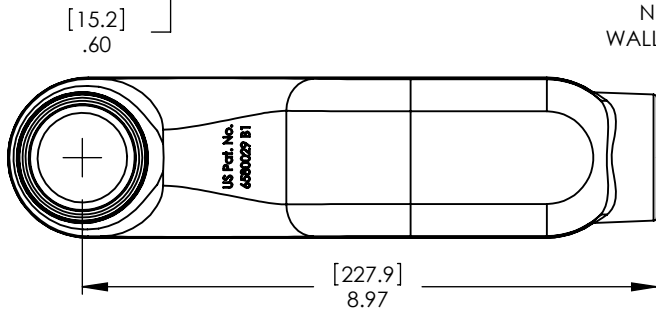
1/4-20 X 1.25 TYPE AB
ROBERTSON + PHILLIPS COMBO
PAN HEAD TAPPING SCREW



[3.2]
.13
GASKET THICKNESS
UNCOMPRESSED



[4.6]
.18
NOMINAL
WALL THICKNESS



NOTES:

1. CAN BE REDUCED TO 1.0 IN. SOCKET USING REDUCER BUSING
2. PROTECTED BY US PATENT 6580029 B1
3. FOR TELECOM AND ELECTRICAL APPLICATIONS

PROPRIETARY AND CONFIDENTIAL
THE INFORMATION CONTAINED IN THIS DRAWING IS THE SOLE PROPERTY OF SMART PATHWAYS LLC. ANY REPRODUCTION IN PART OR AS A WHOLE WITHOUT THE WRITTEN PERMISSION OF SMART PATHWAYS LLC. IS PROHIBITED.

		UNLESS OTHERWISE SPECIFIED:		NAME	DATE
		DIMENSIONS ARE IN INCHES [mm]	DRAWN	AVS	04/11/2008
		TOLERANCES:	CHECKED	PRM	04/11/2008
		FRACTIONAL ±1/32	ENG APPR.		
		ANGULAR: MACH ± 5° BEND ± 5°	MFG APPR.		
		TWO PLACE DECIMAL ± .010	Q.A.		
		THREE PLACE DECIMAL ± .005	COMMENTS:		
		INTERPRET GEOMETRIC TOLERANCING PER:			
		MATERIAL			
		RIGID PVC, GREY			
		FINISH			
		SPIB1			
NEXT ASSY	USED ON				
APPLICATION		DO NOT SCALE DRAWING			

Smart Pathways, LLC www.smartlb.com		
TITLE: 1.25 inch Smart LB PVC Customer Drawing		
SIZE A	DWG. NO. KBLB-121-CUSTOMER-ASSEMBLY	REV A
SCALE: 1:3	WEIGHT: 1.3 lb. .6 kg.	SHEET 1 OF 1